

KARISMA



TOP PERFORMANCE
IN COMPACT DIMENSIONS

 **NECTA**

N&W AND NECTA: A LONG HISTORY OF TECHNOLOGICAL EXCELLENCE.

N&W's success in the Ho.Re.Ca. marketplace can be traced back to the late '60's, when Zanussi Grandi Impianti launched a range of automatic machines and coffee dispensers that met with immediate acclaim for their excellent performance and innovative design.

Subsequently, the business was acquired and then, in the late '90's, sold by Electrolux; at which point the company was renamed Necta. Later, a merger with Danish company Wittenborg added the 'W' to the 'N' and the **N&W Group** emerged. Since then the company has become a leading multi-national, with a presence in more than 100 countries. Moreover, N&W relies on a carefully selected sales network and on efficient after-sales services.

When it comes to coffee, the Necta brand is synonymous with quality, and that's hardly surprising. **Designed and built in Italy, Necta super automatic machines reflect the Italians' passion for coffee by delivering an authentic taste of *cultura del caffè italiano*** - Italian coffee culture. Add to this heritage a commitment to constant research, development and improvement and you have the recipe for Necta's success.



N&W has been awarded **two internationally recognised certificates relating to corporate management systems**: one in regard to quality (UNI EN ISO 9001:2008); the other in regard to environment performance (UNI EN ISO 14001:2004).



Additionally, Necta machines have **IMQ product certification**, awarded by the Italian Quality Trademark Institute, your guarantee that every single product manufactured fulfils the safety requirements of electrical home appliances, as well as those for commercial dispensers.

KARISMA IS NOT *LIKE* ITALIAN COFFEE, IT IS ITALIAN COFFEE - AT ITS VERY BEST.

Why settle for a machine that mimics Italian taste when you can have one that delivers the genuine article? Necta machines are conceived, designed and built by people who are their own fiercest critics, in a land where coffee consumption is an intrinsic, almost sacramental element of everyday life.

Karisma is a triumphant combination of taste, design and engineering that delivers the perfect espresso; the building block of all Italian coffees. Then, by varying combinations of fresh steamed milk and froth, Karisma delivers the world's favourite coffee-shop specialties, such as latte and cappuccino - and all at the touch of a button.



KARISMA: THE NEW WAY OF OFFERING QUALITY COFFEE.

Who needs a barista, when you could have a Karisma?

1 User Friendly
Behind the bar or front of house, operated by staff or customers, it doesn't matter: great coffee is one touch away.

2 Speed
Need to serve a lot of people fast? No problem. Karisma can dispense around 200 cups of coffee every hour – and the last tastes just as good as the first. Peak hours are no longer an issue.

3 Taste
Karisma delivers a great tasting, totally authentic Italian coffee experience. Every time. A unique pleasure which enraptures, sip after sip.

4 Choice
Have it your way! Karisma can be customized to produce the drinks you want, a taste feast which satisfies the most demanding customers.



KARISMA: COOL, COMPACT AND BRIMMING WITH ITALIAN 'ELEGANZA'.

Thoroughbred Italian, thoroughbred quality.

ITALIAN TOUCH

- Graceful and sleek, yet robust and reliable
- Perfectly coordinated modular and stylish accessories (Cup warmer and Fridge)
- Front and side lighting with ghost light effects



TECHNOLOGY AT YOUR COMMAND.

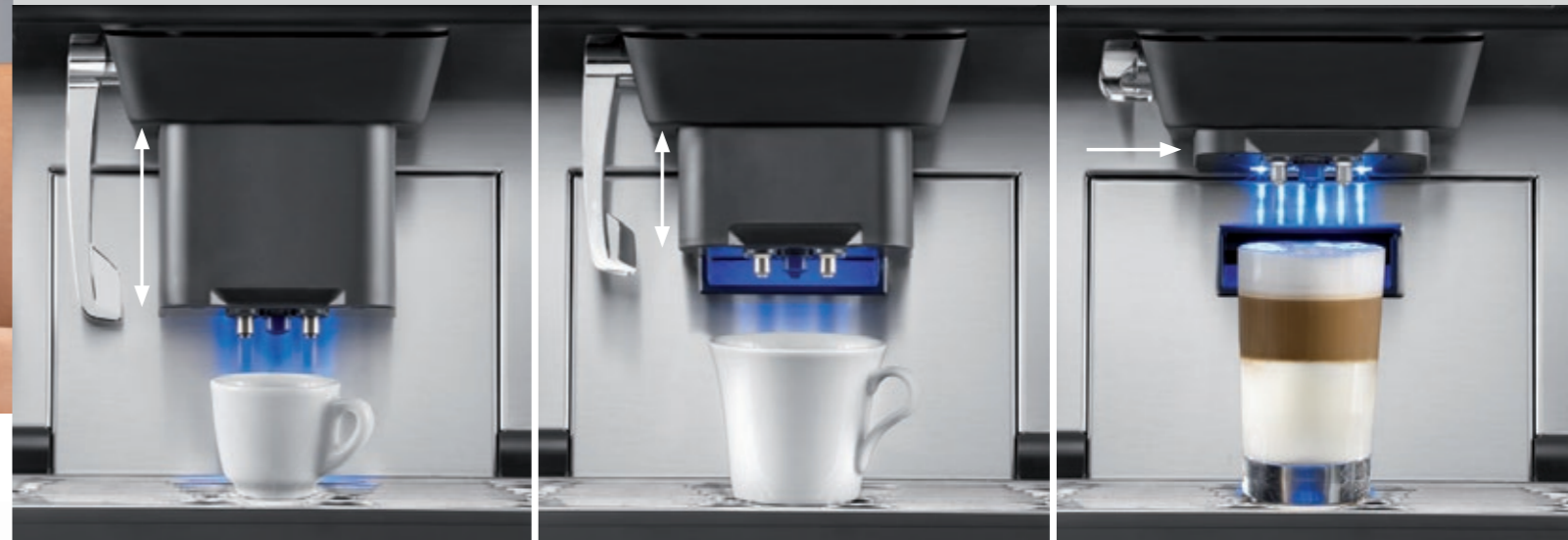
- State-of-the-art touchscreen which can run promotional adverts or messages
- USB connectability
- Intuitive user interface





KARISMA IS
SMART, FUNCTIONAL AND PRACTICAL
 IN EVERY DETAIL.

Karisma has **movable nozzles** to accommodate a wide range of cup sizes: espresso and cappuccino cup, latte macchiato glass and paper cup up to 150 mm.



KARISMA IS
THE BEST OF THE COFFEE SHOP
 BASED ON QUALITY ESPRESSO.

Get used to being able to offer a delicious menu of coffee drinks, all of them perfectly made, from the authentic Italian espresso and americano, to frothy cappuccino and latte macchiato, just to name a few. Karisma, from Necta. It's Italian quality coffee at your fingertips.

Brewer? Karisma has the Necta patented espresso brewer inside.

- The Z4000 espresso brewer was specifically developed to deliver authentic Italian espressos to the Ho.Re.Ca. market
- Variable chamber: from 7 to 14 coffee grams capacity
- Self-adjusting blades and simple maintenance



Fresh Milk? Yes. Karisma uses Necta's brand new cappuccinatore MPF (Milk Per Foamer), to create high quality drinks using fresh milk combined with espresso. It's versatile:

- Karisma can dispense hot or cold milk
- Karisma can dispense foamed milk or simply hot milk
- Karisma offers high consistency of doses
- Karisma enables the creation of a personal customized coffee menu, thanks to predefined selections
- Karisma has the option of space-saving milk storage under the counter

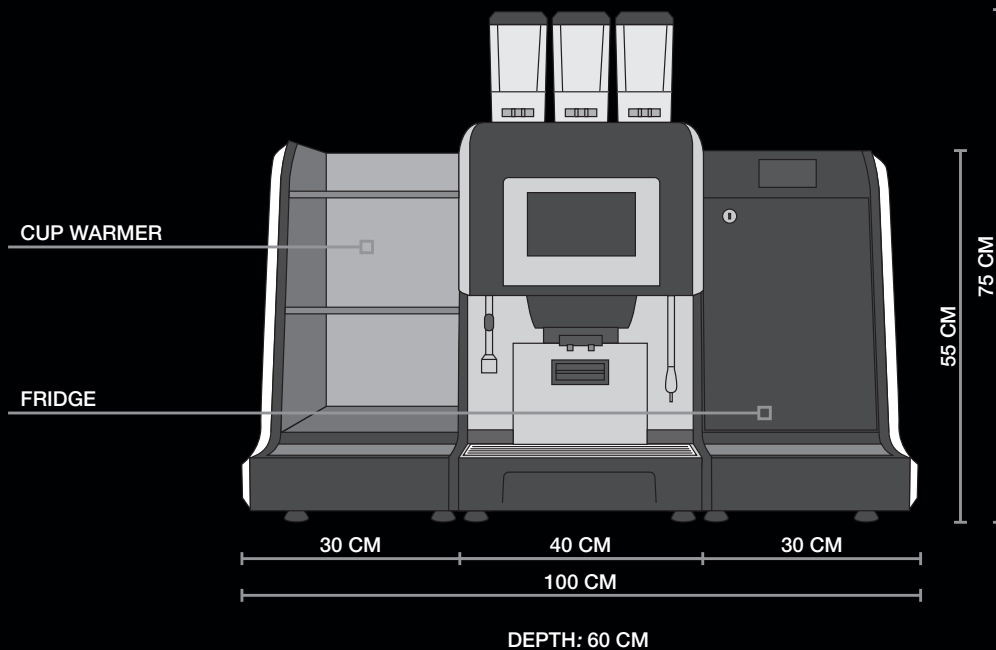


A **steam wand** which stops automatically when optimum temperature is reached, thanks to an in-built temperature probe. Dense, frothy, creamy drinks, time after time. It can also work with manual intervention.



Automatic and programmable **cleaning cycles** comply with the world's most stringent health and safety requirements.

TECHNICAL DATA SHEET



N&W Global Vending reserves the right to alter specifications without notice.

MODEL	KARISMA 2 ES+IN+MPF* (2 Grinders + 1 Soluble + Fresh Milk)	KARISMA 2 ES (2 Grinders)
WEIGHT	ca. 65 kg	ca. 58 kg
PRODUCTIVITY	200/h CUPS 50 L/h HOT WATER	200/h CUPS 50 L/h HOT WATER
BREWER	CAPACITY: 7 - 14 grams	CAPACITY: 7 - 14 grams
SELF SETTING REG. OF GRINDING	SETTABLE VIA SW	SETTABLE VIA SW
DECAF OPTION	YES	YES
HOT WATER WAND	YES	YES
STEAM WAND	YES	YES
MILK PERFOAMER	YES	/
BOILERS	3	3
COFFEE BEANS HOPPER CAPACITY	2 x 1,2 kg	2 x 1,2 kg
SOLUBLE CANISTER CAPACITY	CHOCOLATE 1,8 kg	/

*MPF: Milk PerFoamer • Cappuccinatore

karisma.nectahoreca.com



N&W GLOBAL VENDING S.p.A.
Via Roma 24 • 24030 Valbrembo (BG) • Italy
Ph. +39 035 606111
Fax +39 035 606560
www.nwglobalvending.com

N&W GLOBAL VENDING Ltd.
Dudley Street • Bilston
West Midlands WV14 0LA
Ph. +44 (0)1902 355 000
Fax +44 (0)1902 355 017
www.nwglobalvending.co.uk

L38001